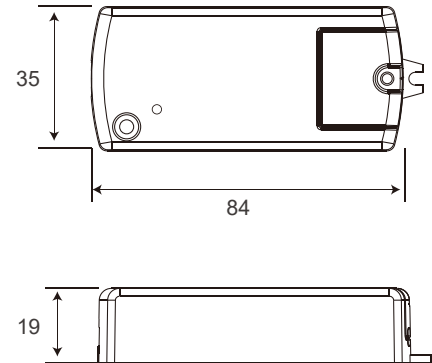


TOUCH CONTROLLER

Touch sensor controller



Product Description

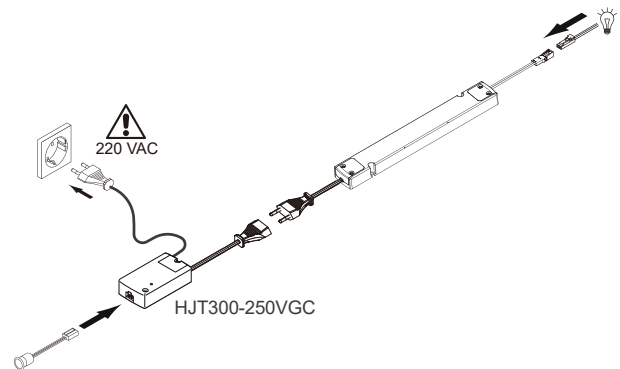
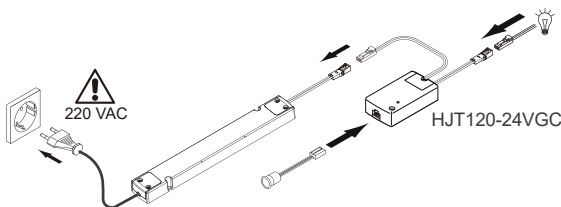
- Capacitive Touch Switch: After touching the pad the first time, it turns on, and the second time it turns off.
- Dimming for CCT (HJT120-24VGC)
- Terminal block for quick connection
- Optional Sensor
- Mini plug for sensor connection
- HJT120-24VGC LED load power: 12V: Max. 60W 24V: Max. 120W
- HJT300-250VGC LED load power: Max. 300W
- 5-year warranty

Safety & EMC Standard

- Safety According to EN 61347-1, EN61347-2-11 and EN61058-1
- EMC According to EN 301489-1/3
- RF According to EN 300440

Product Installation

- Sensor head with recessed mounting, receiver with surface mounting.
- TOUCH sensor (HJS-TOUCH) hole Opening Diameter: $\varnothing 17\text{mm}$
(HJS-TOUCH2) hole Opening Diameter: $\varnothing 10\text{mm}$



Technic Data

Item code	Rated input	Power	Rated Current	Angle	Detection Range (Depend on sensor)	Delay Time	ta	tc	Size (L×W×H)	Approval
HJK300-250VGC	100-240VAC	300W	1.25A	-	-	-	-20...+50°C	60°C	84×35×19	CE
HJT120-24VGC	12/24 VDC	60/120W	5A	-	-	-	-20...+50°C	60°C	84×35×19	CE

