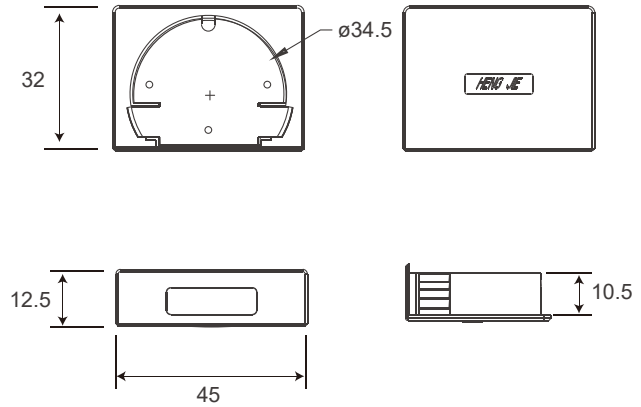


**TOUCHLESS CONTROLLER**  
**IR sensor controller**

**Product Description**

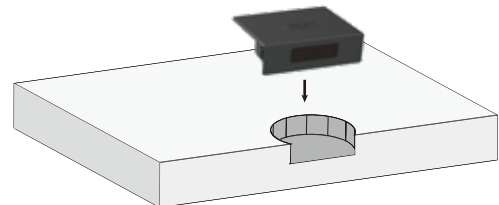
- Infrared detection: When open the door, light turn on; when close the door, light turn off
- Compatible with single door and double door
- LED load power: 12V:Max.36W 24V:Max.72W
- 5-year warranty

**Safety & EMC Standard**

- Safety According to EN 61347-1, EN61347-2-11 and EN61058-1
- EMC According to EN 301489-1/3
- RF According to EN 300440

**Product Installation**

- Installation: Recessed and surface mounted
- Hole Opening Diameter:  $\varnothing 35\text{mm}$


**Technic Data**

Item code	Rated input	Power	Rated Current	Angle	Detection Range (Depend on sensor)	Delay Time	ta	tc	Size (L×W×H)	Approval
HJK72-24VGI	12/24 VDC	36/72W	3A	-	5-10cm	-	-20...+50°C	60°C	45×32×12.5	CE

