

Standard series Ultrathin constant voltage output



HJA20-12VF-1 HJA20-24VF-1

Product Description

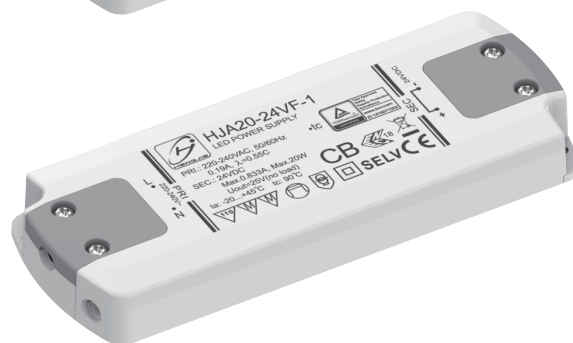
- Independent constant voltage LED power supply
- Mini DC socket at the secondary side for quick connection
- Terminal block for quick connection
- Driver can be secured with slot for screws
- Ultra-thin design, the height is 15mm
- Full protection functions with automatic recovery feature
- Fast start-up time $\leq 0.5s$
- Protection class II, SELV output
- Efficiency: 87.6%
- Compliance to ERP directive: COMMISSION REGULATION (EU) 2019/2020

Safety & EMC Standard

- EN 55015
- EN 60598-1
- EN 61000-3-2
- EN 61000-3-3
- EN 61347-1
- EN 61347-2-13
- EN 61547
- EN 62384

Application

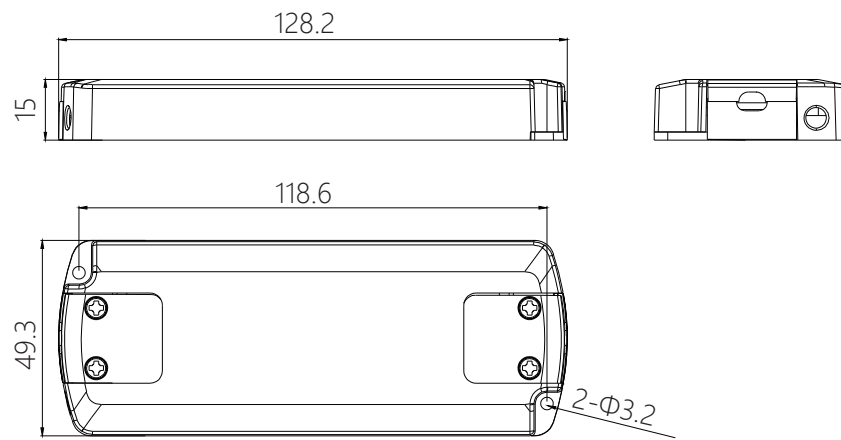
- Indoor Lighting
- Cabinet lighting
- Display lighting



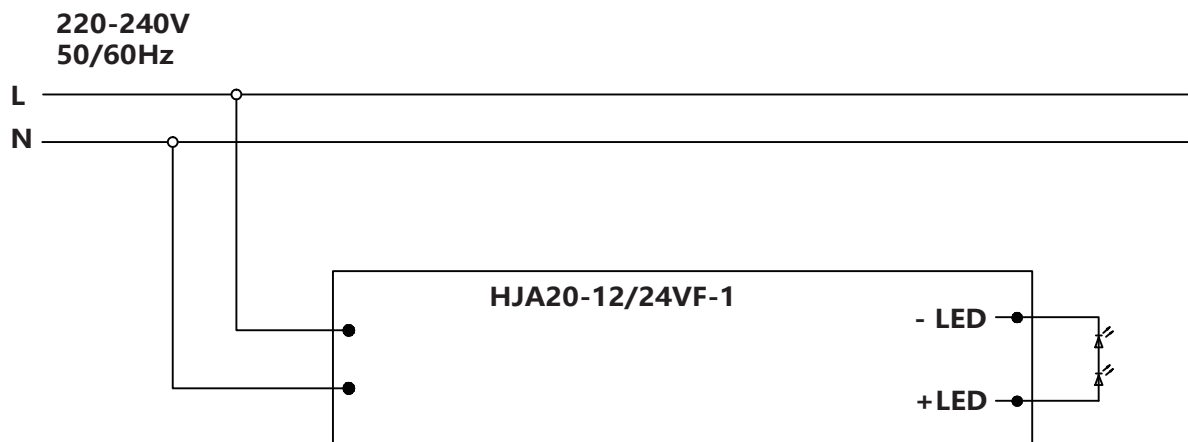
Technical data

| Model | | HJA20-12VF-1 | HJA20-24VF-1 |
|-------------------------|--|-----------------------------|----------------|
| Input | Rated supply voltage(Vac) | 220-240 | 220-240 |
| | Voltage range(Vac) | 198-264 | 198-264 |
| | Line frequency(Hz) | 50/60 | 50/60 |
| | Input current(mA) | 190 | 190 |
| | Efficiency with full load | 84.1% | 87.6% |
| | Power factor(at 230V,50Hz,full load) | 0.55C | 0.55C |
| | Displacement factor(DF) (at 230V,50Hz,full load) | 0.85 | 0.85 |
| | No load power consumption(W) | <0.5 | <0.5 |
| | Inrush current(peak/duration) | 7.2A 550us | 7.2A 550us |
| Output | Turn on time(S) | <0.5 | <0.5 |
| | Output power(W) | 20 | 20 |
| | Output voltage(V) | 12 | 24 |
| | Output voltage tolerance | ±5% | ±5% |
| | Ripple voltage(mV) | 450 | 450 |
| | Output current range(A) | 0-1.67 | 0-0.83 |
| | Max. output voltage(V) | 13 | 25 |
| | Isolation output to input | SELV | SELV |
| | Dimming interface | N/A | N/A |
| | Dimming range | N/A | N/A |
| Protection | Over load protection | Y | Y |
| | Over temperature protection | Y | Y |
| | Short circuit protection | Y | Y |
| | Open circuit protection | Y | Y |
| | Automatic restart after restore | Y | Y |
| Ambient and life | Ambient temperature in normal working Ta(°C) | -20...+45 | -20...+45 |
| | Max. casing temperature Tc(°C) | 90 | 90 |
| | Nominal life-time(hrs) | 50'000@TC=80°C | 50'000@TC=80°C |
| | Failure rate | 0.1%/1000h | 0.1%/1000h |
| | Guarantee(Years) | 5 | 5 |
| | Storage Temperature(°C) | -30...+80°C | |
| | Ambient humidity range | 5%...85%RH , Not condensing | |
| Others | Weight(gram) | 85 | |
| | Housing material | PC | |
| | Housing colour | White | |
| | Waterproof rating | IP20 | |

Dimension(mm)



Wiring diagram



■ Sales & Technical support

Ningbo Technic Lighting Co., Ltd.

- Tel: 86-574-62795971 , 62795972 , 62795970
- E-mail: Sales@technic-lighting.com
- Fax: 86-574-62795975 , 62519809
- Web: [Http://www.technic-lighting.com](http://www.technic-lighting.com)
- Add: No. 8, CaiYuan Road, Lizhou Street, Yuyao, Zhejiang