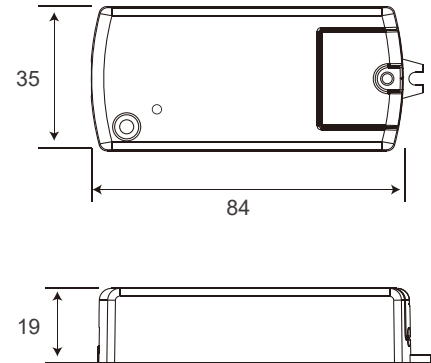


MOTION CONTROLLER PIR sensor controller



Product Description

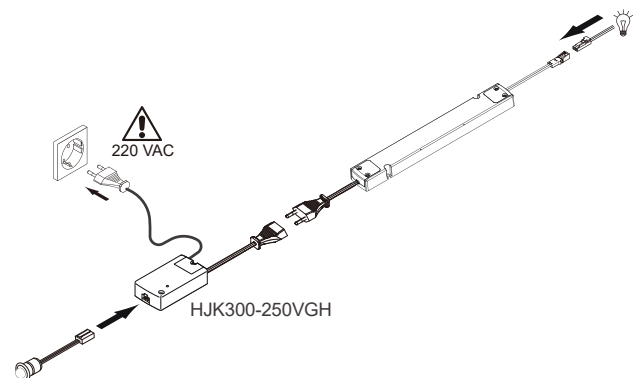
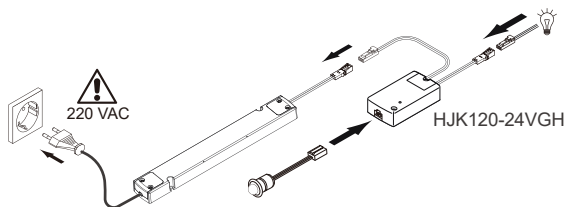
- Human-body detection: when people moving in the detection area, light turn on. After the set time, if there is no any motion detecting, light turn off
- Terminal block for quick connection
- Optional Sensor
- Delay time can be set from 10 sec to 3min.
- HJK300-250VGH LED load power: Max.300W
- HJK120-24VGH LED load power: 12V:Max.60W, 24V:Max.120W
- 5-year warranty

Safety & EMC Standard

- Safety According to EN 61347-1, EN61347-2-11 and EN61058-1
- EMC According to EN 301489-1/3
- RF According to EN 300440

Product Installation

- Sensor head with recessed mounting, controller with surface mounting.
- PIR sensor(HJS-PIR) hole Opening Diameter: \varnothing 17mm
- HJK120-24VGH need to match the driver to use.



Technic Data

Item code	Rated input	Power	Rated Current	Angle	Detection Range (Depend on sensor)	Delay Time	ta	tc	Size (L×W×H)	Approval
HJK300-250VGH	100-240VAC	300W	1.25A	-	1-3m	10-180s	-20...+50°C	60°C	84×35×19	CE
HJK120-24VGH	12/24 VDC	60/120W	5A	-	1-3m	10-180s	-20...+50°C	60°C	84×35×19	CE

