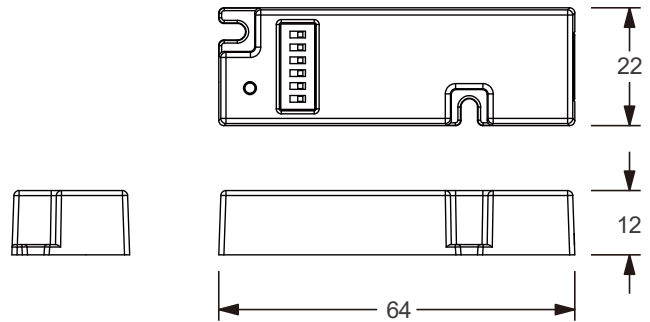


MOTION CONTROLLER

Microwave sensor controller



Product Description

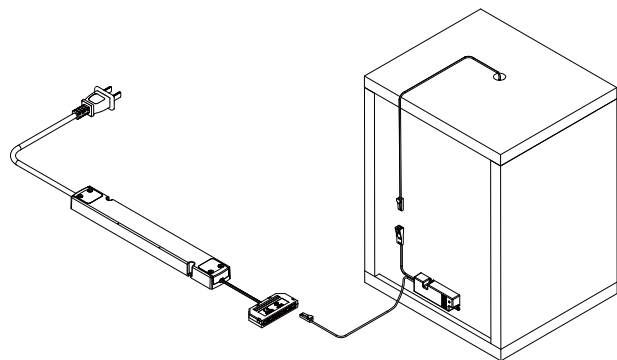
- Microwave detection: when people moving in the detection area, light turn on; When human-body leaves the detection range or no motion detected in the detection range, light turn off.
- Detection range can be adjusted by potentiometer
- Terminal block for quick connection
- LED load power: 12V:Max.60W 24V:Max.120W
- 5-year warranty

Safety & EMC Standard

- Safety According to EN 61347-1, EN61347-2-11 and EN61058-1
- EMC According to EN 301489-1/3
- RF According to EN 300440

Product Installation

- Side sensing, suitable for top and low cabinet applications.
- Used for integral cloakroom, cabinet, study, etc.



Technic Data

Item code	Rated input	Power	Rated Current	Angle	Detection Range	Operating Frequency	ta	tc	Size (L×W×H)	Approval
HJK120-24VGM	12/24 VDC	60/120W	5A	-	>6m	5.8G	-20...+50°C	60°C	64x22x12	CE

