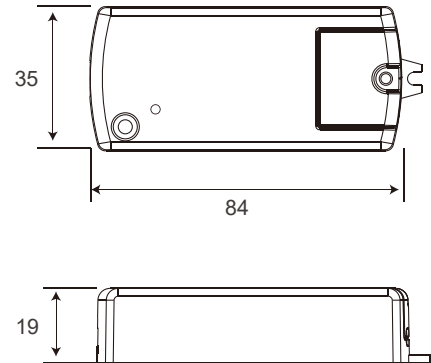


TOUCHLESS CONTROLLER IR sensor controlle



Product Description ▼

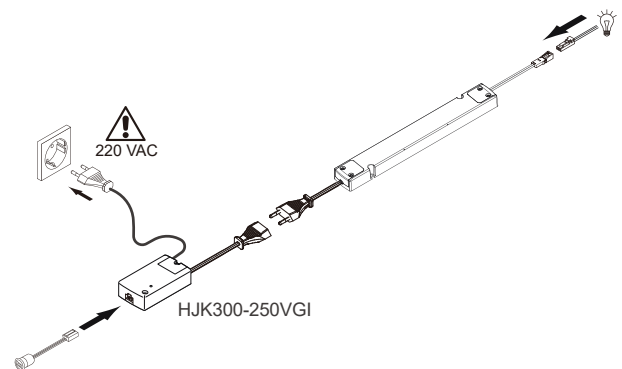
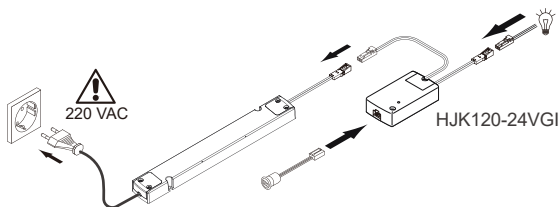
- Infrared detection: When open the door, light turn on; when close the door, light turn off
- Terminal block for quick connection
- Optional Sensor
- HJK300-250VGI LED load power: Max.300W
- HJK120-24VGI LED load power: 12V:Max.60W, 24V:Max.120W
- With 2 selectable function (change by push the function set button) : “Door switch function” and “Wave control function”
- Detection range:4-12mm is recommended
- Memory function: Light will return to last setting before shut off.
- Delay Time: after 10 minutes close, When the door is always open
- 5-year warranty

Safety & EMC Standard ▼

- Safety According to EN 61347-1, EN61347-2-11 and EN61058-1
- EMC According to EN 301489-1/3
- RF According to EN 300440

Product Installation ▼

- Sensor head with recessed mounting, receiver with surface mounting.
- IR sensor (HJS-IR1) hole Opening Diameter: ϕ 14mm
(HJS-IR2) hole Opening Diameter: ϕ 10mm
(HJS-IR3) hole Opening Diameter: ϕ 10mm



Technic Data ▼

Item code	Rated input	Power	Rated Current	Angle	Detection Range (Depend on sensor)	Delay Time	ta	tc	Size (L×W×H)	Approval
HJK300-250VGI	100-240VAC	300W	1.25A	-	5-10cm	-	-20...+50°C	60°C	84×35×19	CE
HJK120-24VGI	12/24 VDC	60/120W	5A	-	5-10cm	[a]	-20...+50°C	60°C	84×35×19	CE

* [a]: After 20 minutes close, When the door is always open.

