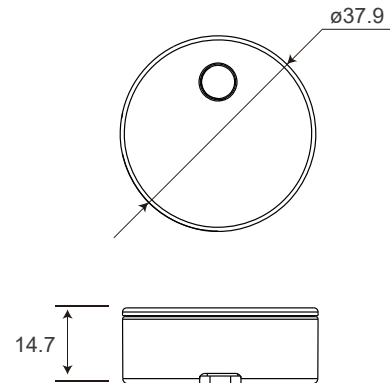


MOTION CONTROLLER

Microwave sensor controller



Product Description

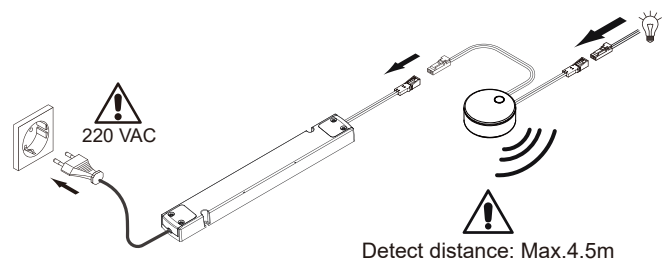
- LifeBeing detect: Integrated 24G microwave sensor with breathing, final motion and moving detection function
- Built-in ambient light detect
- Configurable Dimming down function In the delay time when people leave
- Delay time, sensing distance and ambient light can be set by dip switch.
- LED load power: 12V:Max.36W 24V:Max.72W
- 5-year warranty

Safety & EMC Standard

- Safety According to EN 61347-1, EN61347-2-11 and EN61058-1
- EMC According to EN 301489-1/3
- RF According to EN 300440

Product Installation

- Installation: Recessed and surface mounted



Technic Data

Item code	Rated input	Power	Rated Current	Angle	Detection Range	Operating Frequency	ta	tc	Size (L×W×H)	Approval
HJK72-24VFU	12/24 VDC	36/72W	3A	90°	Max.4.5m	24G	-20...+50°C	60°C	37.9×14.7	CE

